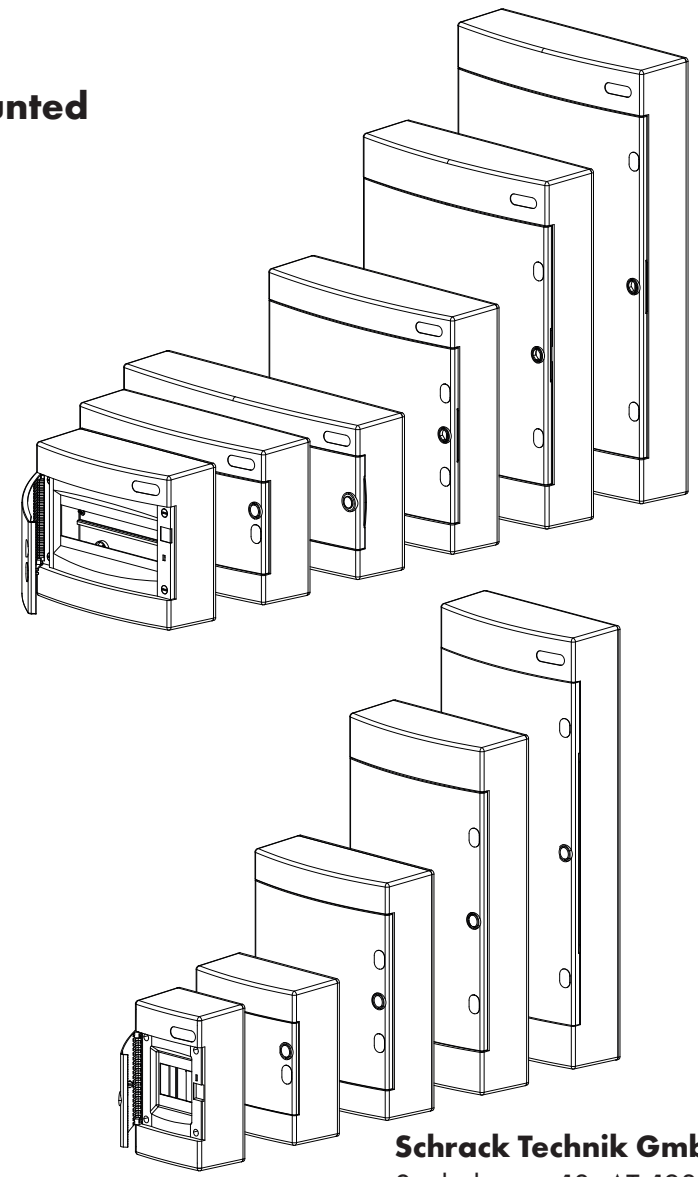


**TOPO**  
**Wall-mounted**



Door		A	B	C	D	E	Rows	MW	Power loss [W]*
Transparent	White	[mm]	[mm]	[mm]	[mm]	[mm]			
BK080110	BK080160	235	143	97	127	46	1	4	-13
BK080100	BK080150	235	215	101	120	120	1	8	-18
BK080101	BK080151	235	287	112	107	180	1	12	-23
BK080104	BK080154	235	395	112	107	289	1	18	-29
BK080109	BK080159	235	502	112	107	395	1	24	-36
BK080102	BK080152	361	287	112	232	180	2	24	-32
BK080106	BK080156	361	395	112	232	289	2	36	-41
BK080103	BK080153	525	287	112	357	180	3	36	-44
BK080107	BK080157	525	395	112	357	289	3	54	-56
BK080105	BK080155	650	287	112	482	180	4	48	-54
BK080108	BK080158	654	395	112	482	289	4	72	-68

\*Max. radiated power of housing calculated as a wall-mounted single fixed with  $\Delta T = 35K$ .

For indoor locations ( $\leq 50\%$  RH at max.  $+40^\circ C$  or for example  $90\%$  RH at  $+20^\circ C$ )  
 Temperature range:  $-25^\circ C \dots +60^\circ C$ ; Rating Voltage 400V AC; IP40; Class II; IK07  
 According to: IEC 60670; IEC 62208

**Schrack Technik GmbH**  
 Seybelgasse 13, AT-1230 Vienna  
 Phone: +43(0)1/866 85-5900  
 E-Mail: info@schrack.at  
 Web: www.schrack.com

